

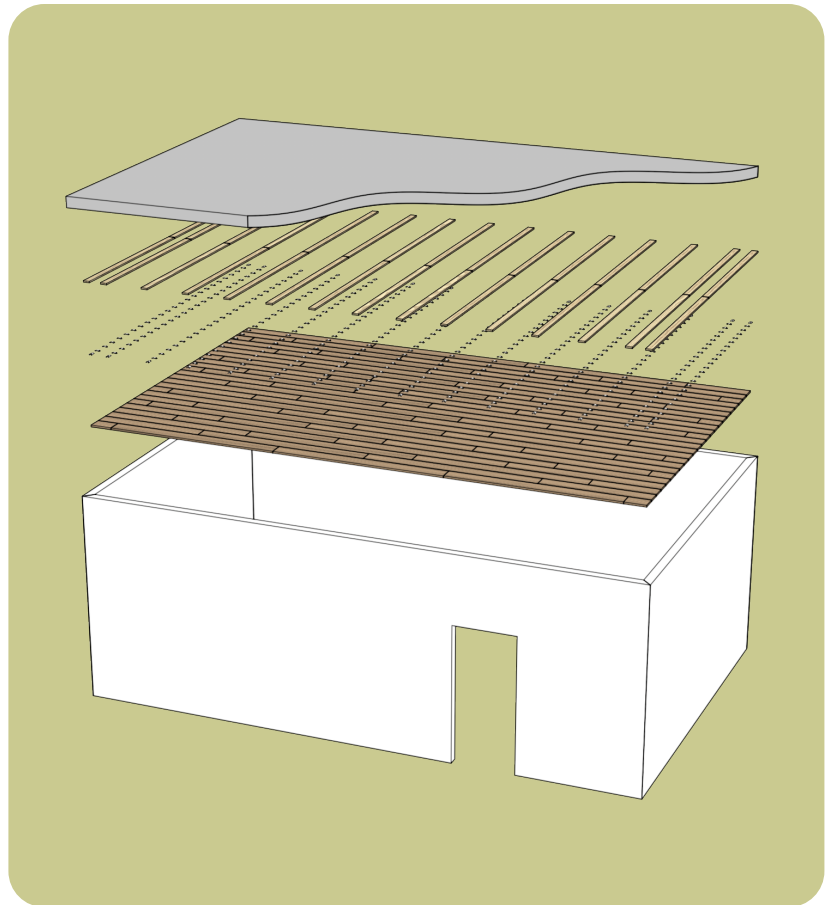
LINO™

ACOUSTIC CEILING PLANKS

TIGHT REVEALS

DIRECT CEILING MOUNT

INSTALLATION INSTRUCTIONS



featuring

SOUNDPLY®

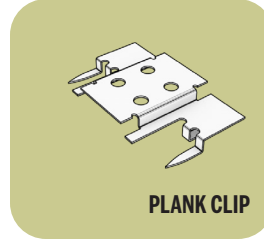
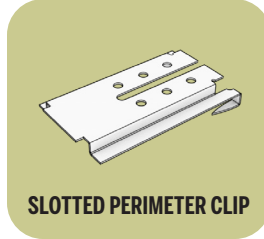
ACOUSTIC PRODUCTS

developed and manufactured by

NAVY ISLAND

www.soundply.com • sales@navyisland.com
275 Marie Ave. E, St. Paul, MN 55118 • (651) 451-4454

**SUPPLIED
HARDWARE**



**REQUIRED TOOLS
& HARDWARE**



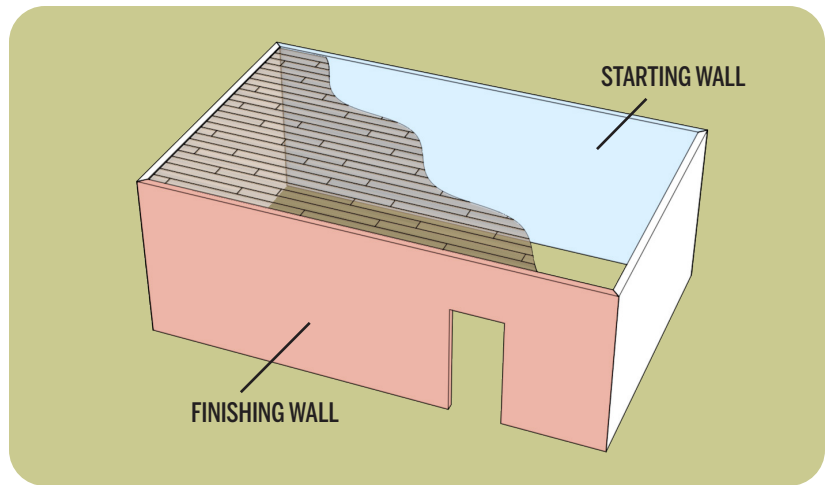
BEFORE BEGINNING INSTALLATION, **OPEN AND INSPECT ALL PACKAGES** TO ENSURE ALL PARTS LISTED ON THE PACKING LIST ARE INCLUDED AND UNDAMAGED.

IF ANY ITEMS ARE MISSING OR DAMAGED, CONTACT NAVY ISLAND AT (651) 451-4454.

Installation Preparation

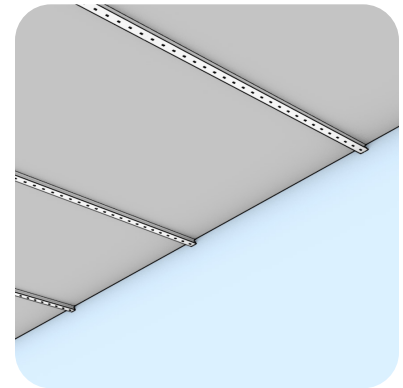
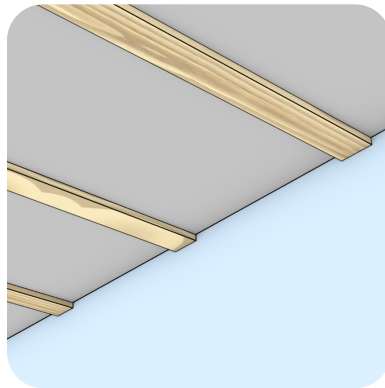
Identify the direction in which the ceiling planks need to be installed. Then identify the starting and finishing walls, which must run parallel to the direction of the ceiling planks.

1



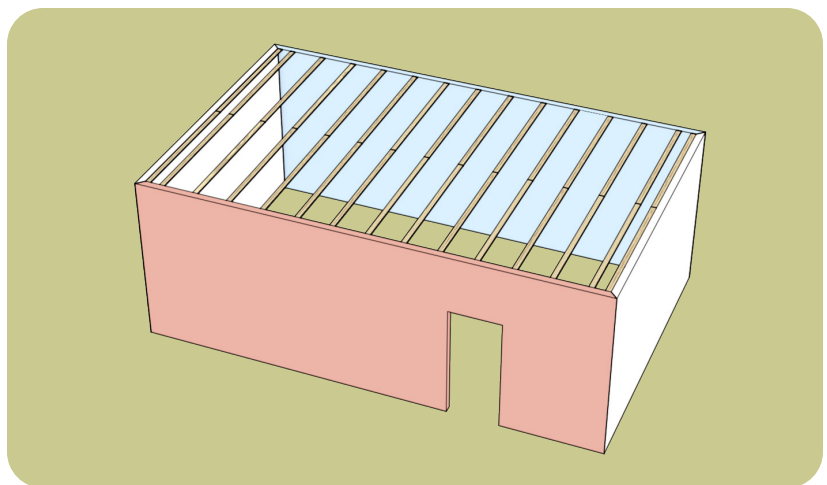
Although planks can be mounted directly to drywall or plywood, furring strips—such as wood blocking or metal hat channel—are recommended to achieve uniform, level plank installation.

«



Furring strips should be placed every 24".

2

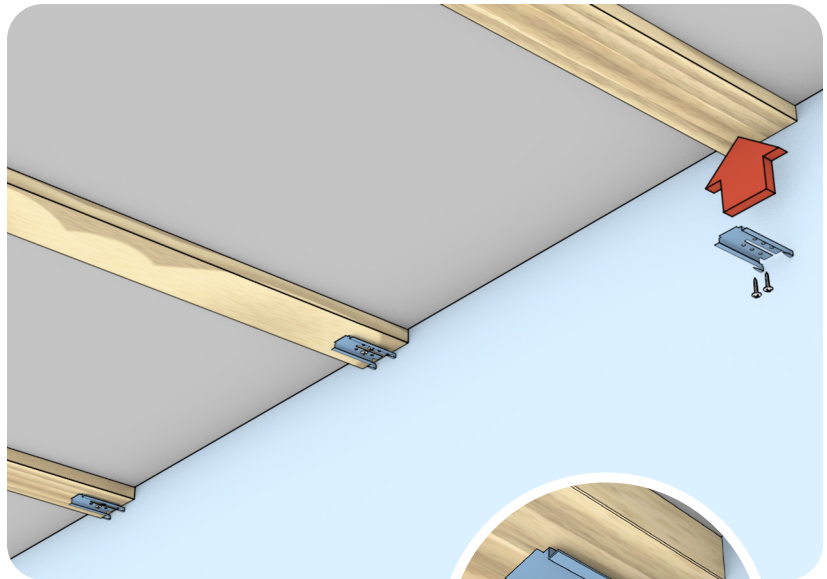


Install First Row Of Clips

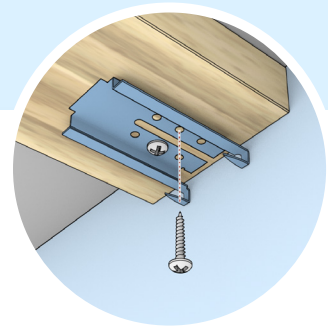
Install Slotted Perimeter Clips every 24" along the length of the starting wall, using the furring strips as placement guides.

3

To ensure a straight starting row of planks, use a laser level or string line when installing the first row of Slotted Perimeter Clips.

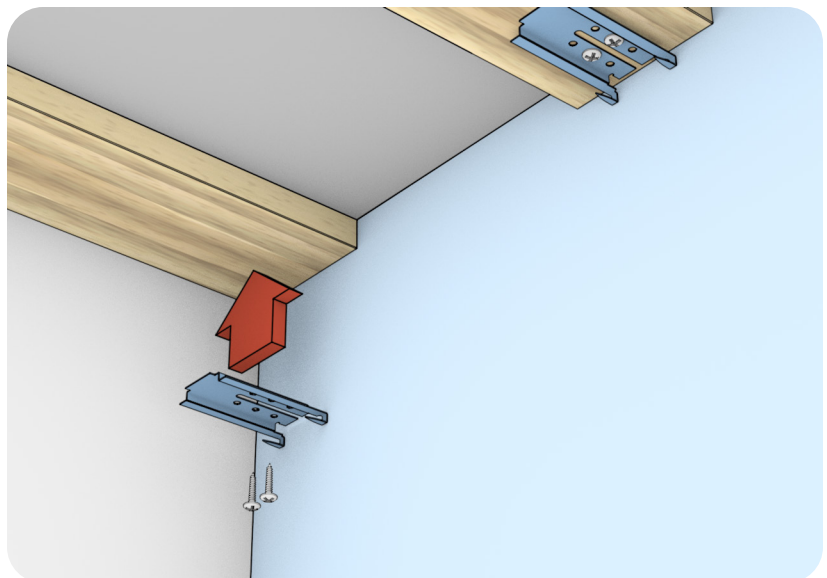


Use two screws in any of the six holes to anchor the perimeter clip.



Install additional Slotted Perimeter Clips at both ends of the starting wall, within 6" from the corner.

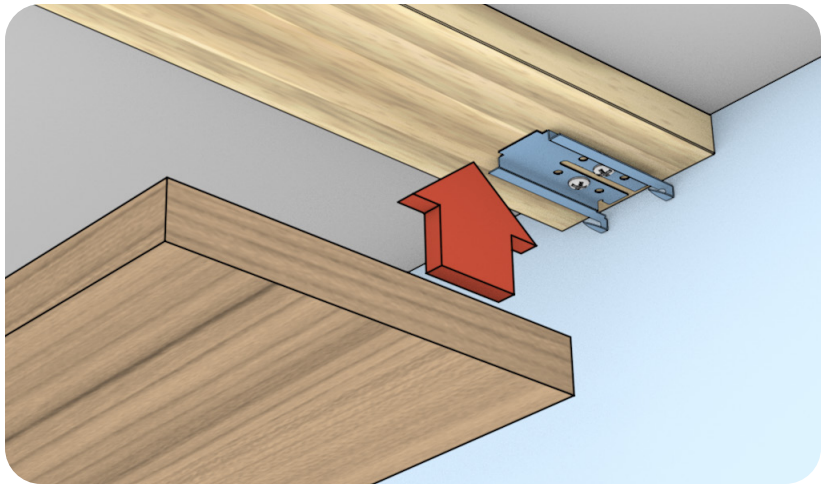
4



Engage First Plank

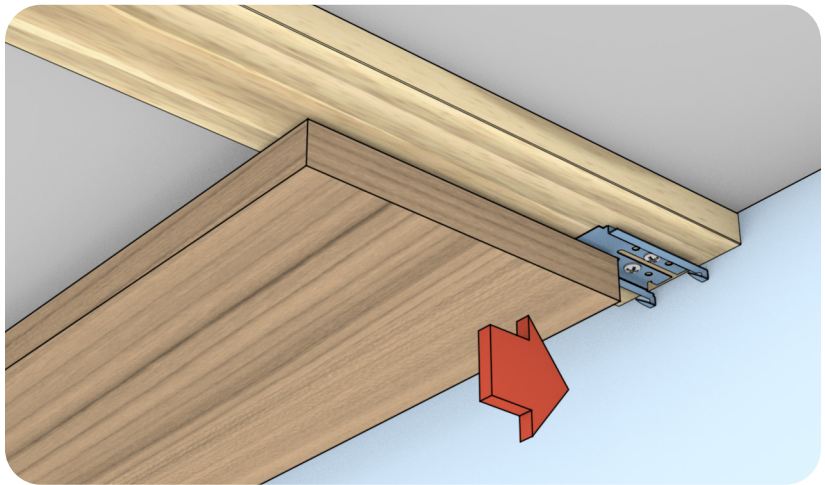
Press plank tight against the bottom of the Slotted Perimeter Clip.

5



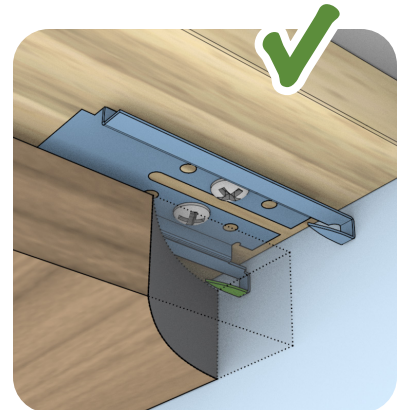
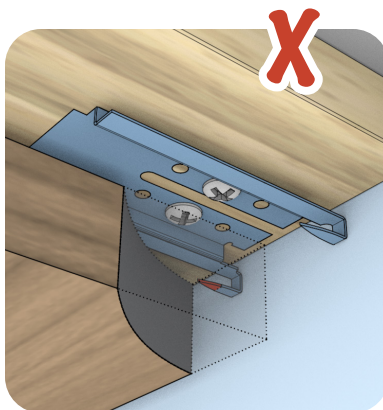
Slide plank into the prongs of the Slotted Perimeter Clip.

6



Ensure plank is fully seated against the back of the prongs.

!



Install First Plank

With plank engaged into Slotted Perimeter Clip, Insert Plank Clips every 24" along the outside edge of the plank, using the furring strips as placement guides.

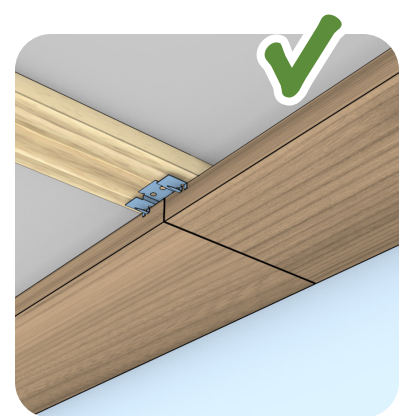
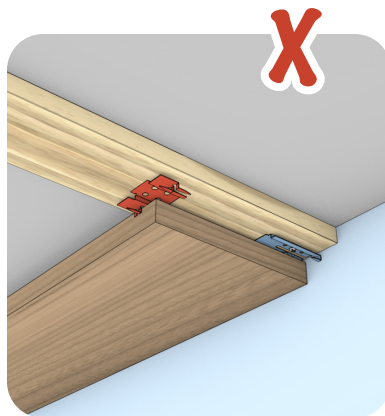
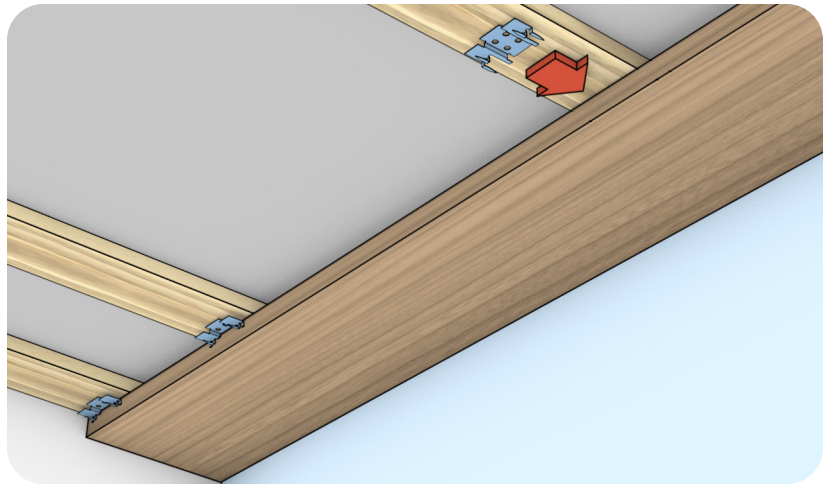
7

In many instances, measuring the installation locations and attaching the Plank Clips on the plank's outside edge before installing is an easier and faster process.



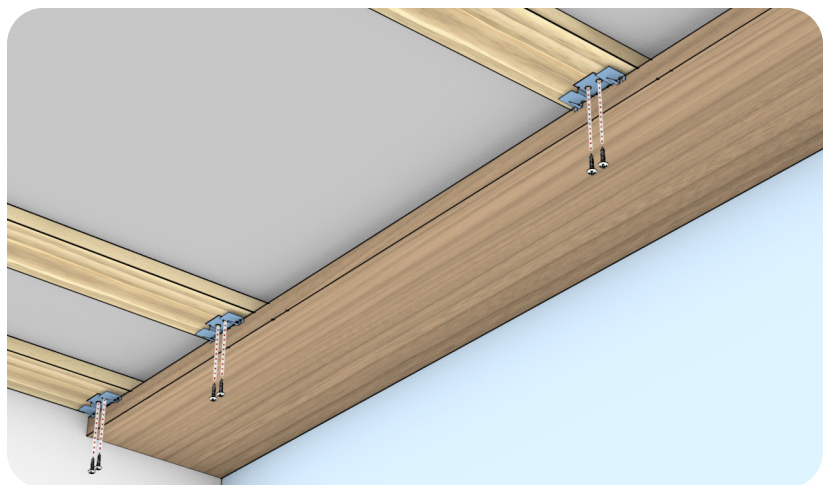
Do not install a Plank Clip at the end of a plank until the adjacent plank have been installed.

!



With the Plank Clip's prongs fully inserted, use two screws to fasten the clip to the furring strip.

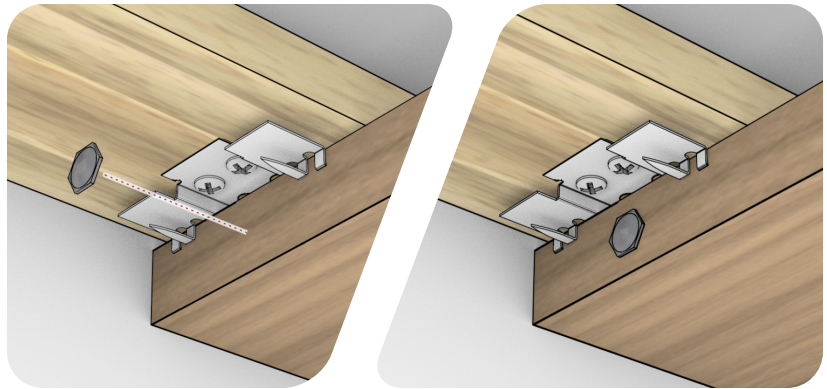
8



Finishing First Row

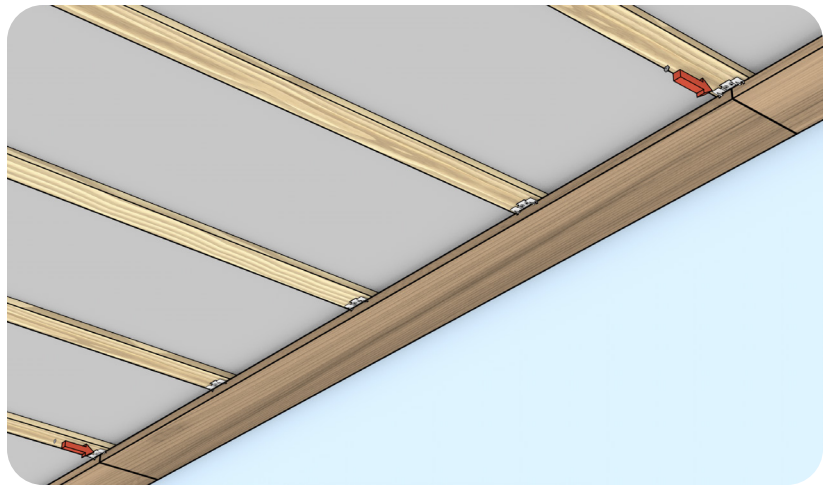
Once the plank clips are installed on the first plank, insert a bumpon spacer on the plank's exposed edge, within 2" from the end adjacent to the wall.

9



Only one bumpon spacer is needed for subsequent planks within the row. They should be inserted within 2" of the trailing end of the plank.

10

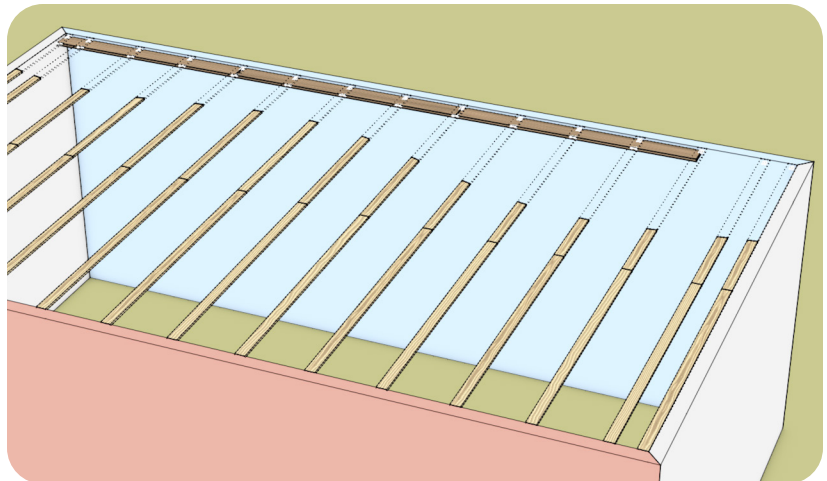


In many instances, inserting the bumpon spacer on the plank's outside edge before installing the plank is an easier and faster process.



Continue installing the first row of planks, following the previous steps 5 – 10, until one plank is remaining.

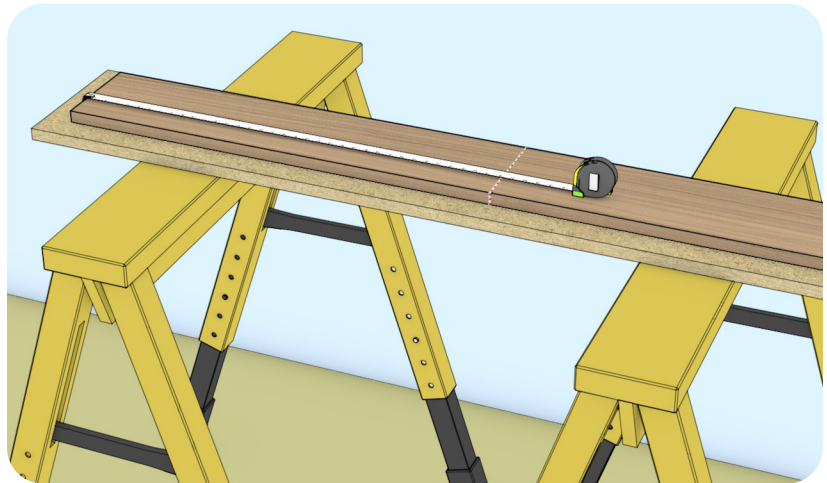
11



Finishing First Row

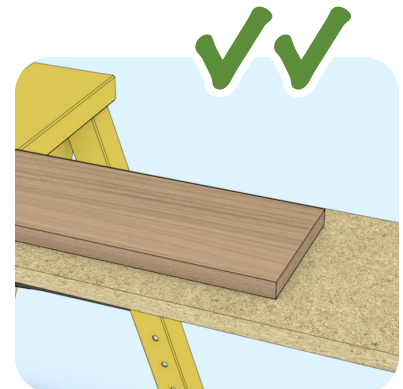
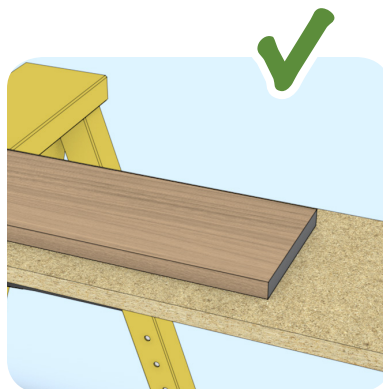
Measure and cut the row's final plank for fitment.

12



Although not required for structural integrity, applying edgebanding to the field-cut ends of planks is recommended for optimal acoustic performance.

See **Edgebanding Instructions** for complete details.

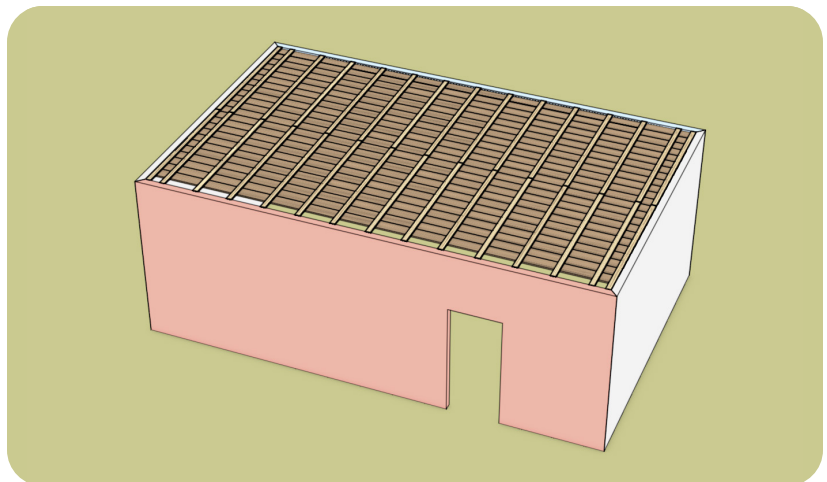


Install Center Rows

Repeat steps 5-12 for each row until only the final row is remaining.

13

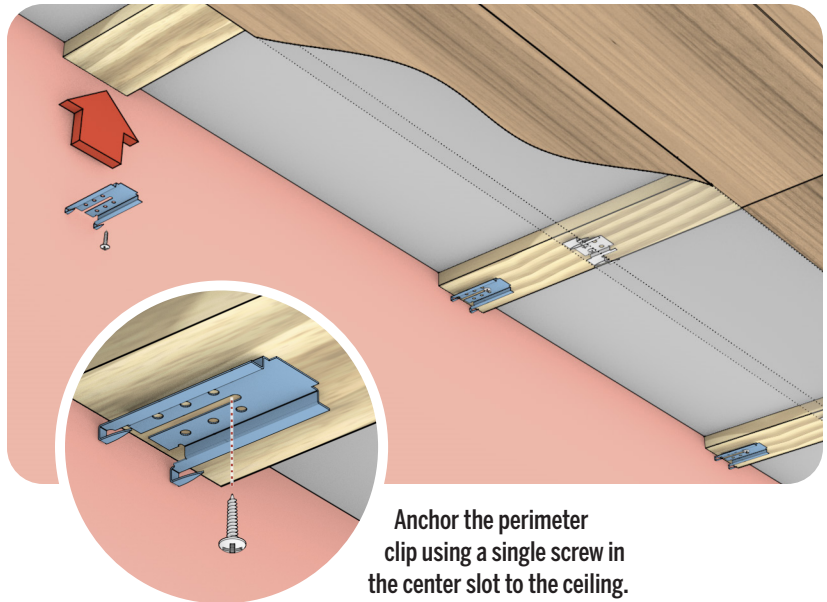
Do not install the final row of planks until steps 14 & 15 are completed.



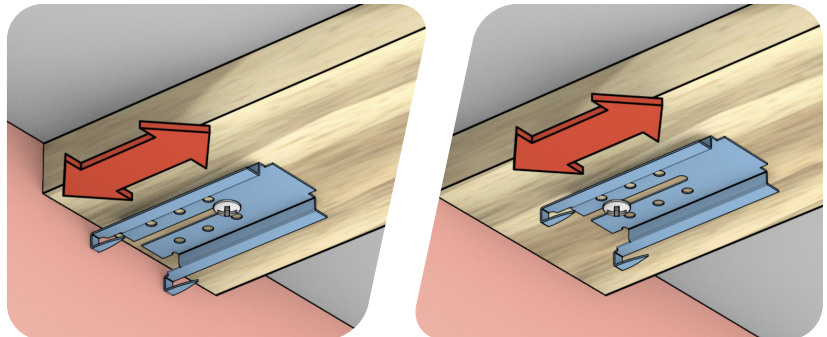
Final Row Preparation

Install Slotted Perimeter Clips every 24" along the length of the finishing wall, using the furring strips as placement guides.

14

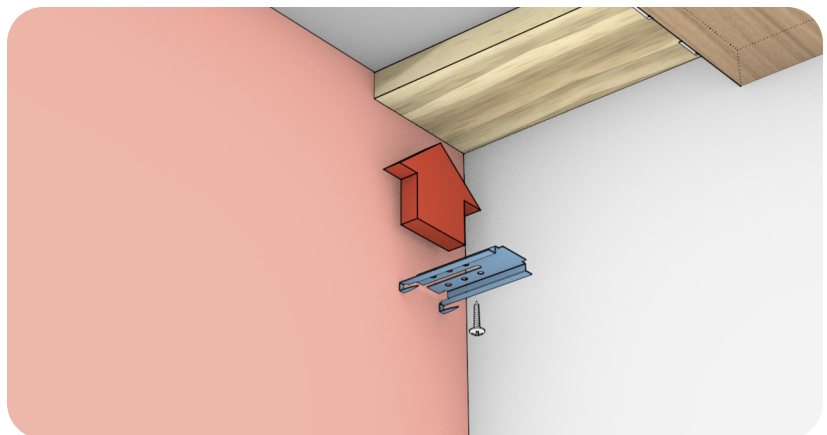


Keep the screw loose enough to allow the clip to slide within the slot.



Install additional Slotted Perimeter Clips at both ends of the finishing wall, within 6" from the corner.

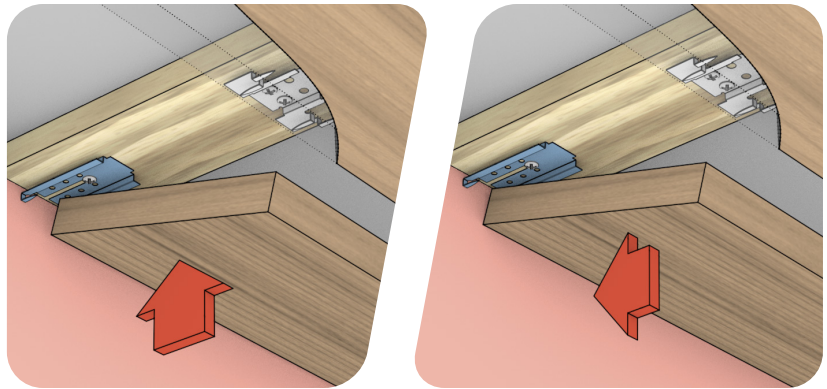
15



Install Final Row

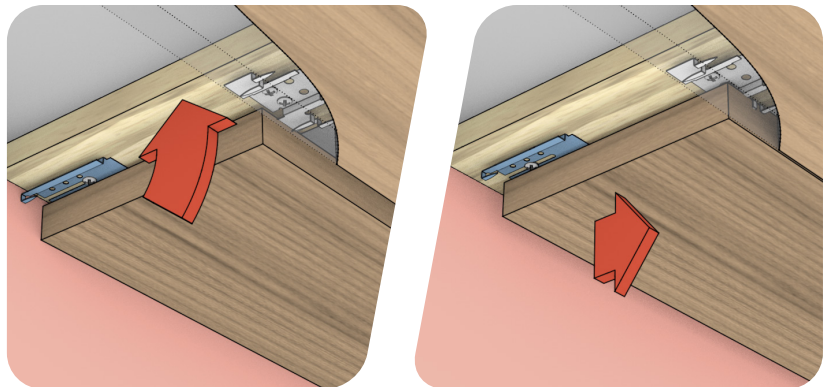
Press the bottom edge of the plank tight against the Slotted Perimeter Clip, then slide into the clip's prongs.

16



Lift the opposite edge of the plank against the base of the Plank Clip, then slide the plank (along with the Slotted Perimeter Clips) into the Plank Clip's prongs.

17



Continue installing the final row of planks, following the previous steps 16 - 17, until all the planks are installed.

18

