

SCALE BASED ON 24" x 36" SHEET SIZE.

These drawings have been created for the sole use of Navy Island, Inc. The depiction of materials that are not supplied by NII are not to be used as a submittal for that product.

Installation of NII's products, including hardware, that does not meet NII's guidelines are void of warranty and are not the responsibility of Navy Island, Inc.

T-grid, hardware or z-bar layouts are examples only. Installation contractor is responsible for actual grid layout and all cut-out size and location coordination.

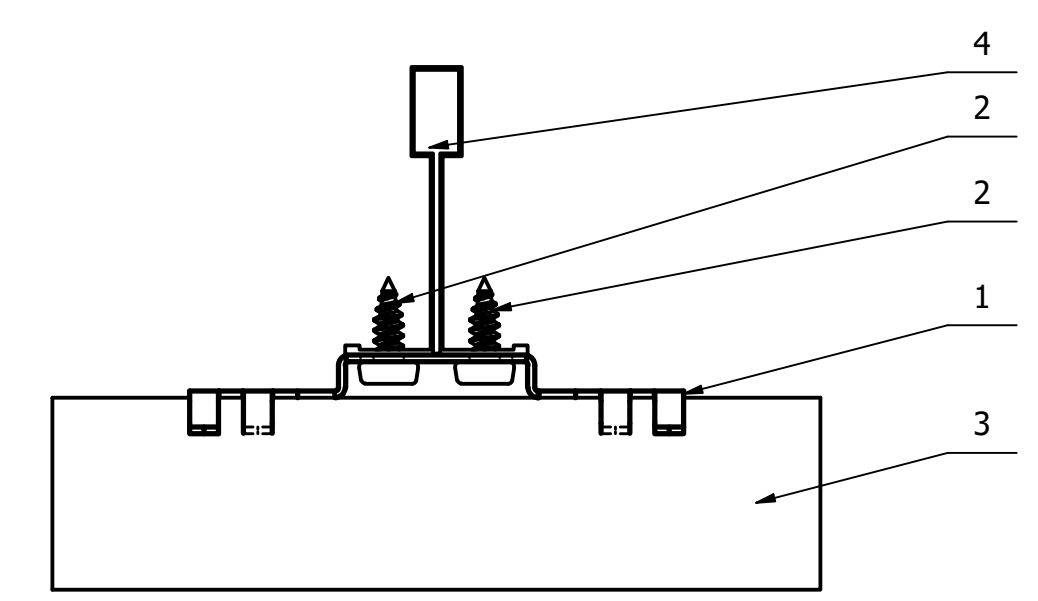
Navy Island is not responsible for accuracy of information from, or coordination with, trades not directly contracted to Navy Island.

SHEET TITLE
1/8" REVEAL PLANK CLIP
MOUNTING DETAIL

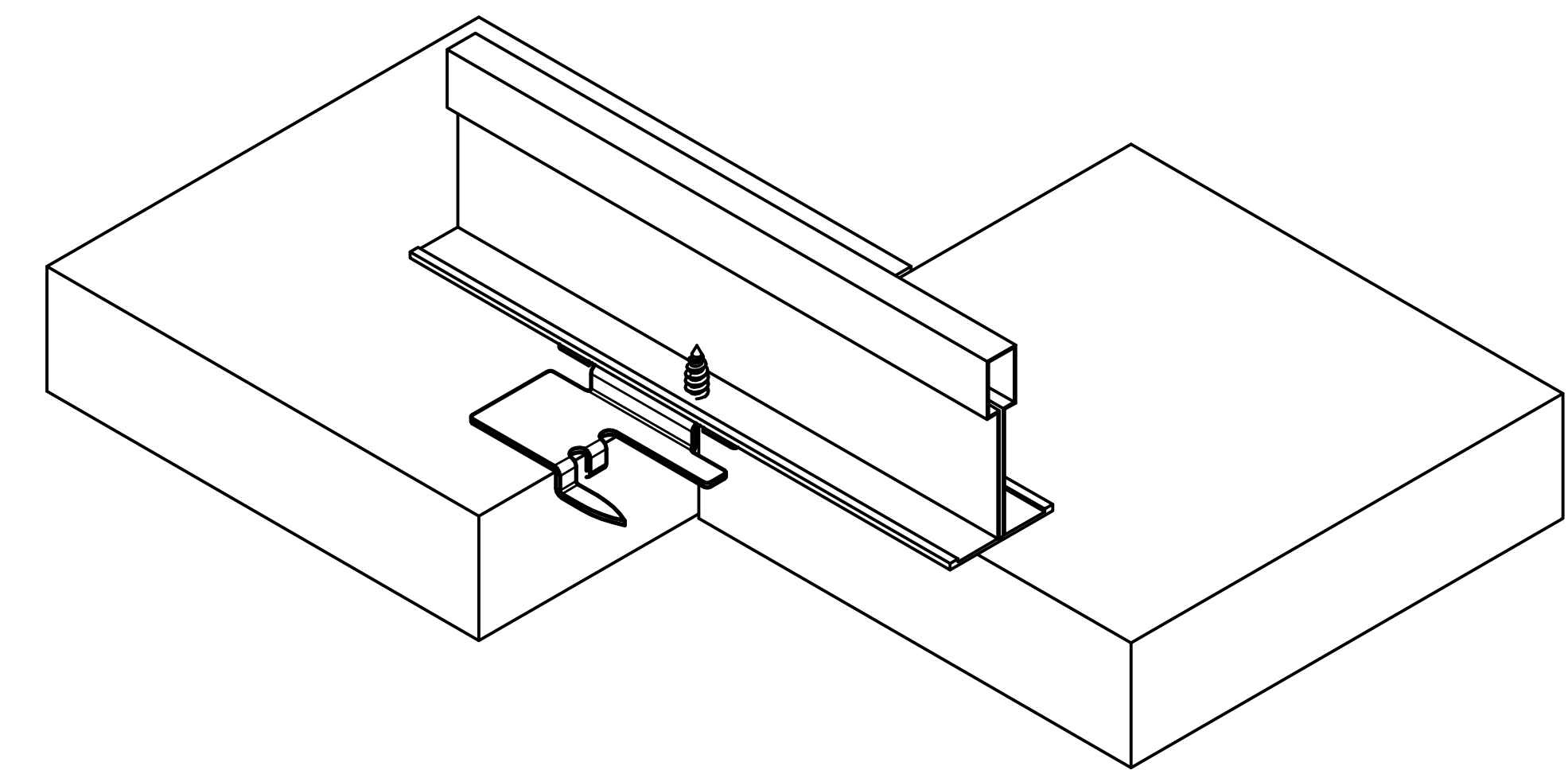
GRID RECOMMENDATIONS

USG DONN	ZXLA26 OR DX26	12' HD MAIN
	ZXLA24 OR DX426	4' HD CROSS TEE
	ZXLA224	2' HD CROSS TEE
ARMSTRONG PRELUDE	7301	12' HD MAIN
	XL7341	4' HD CROSS TEE
	XL8320	2' HD CROSS TEE

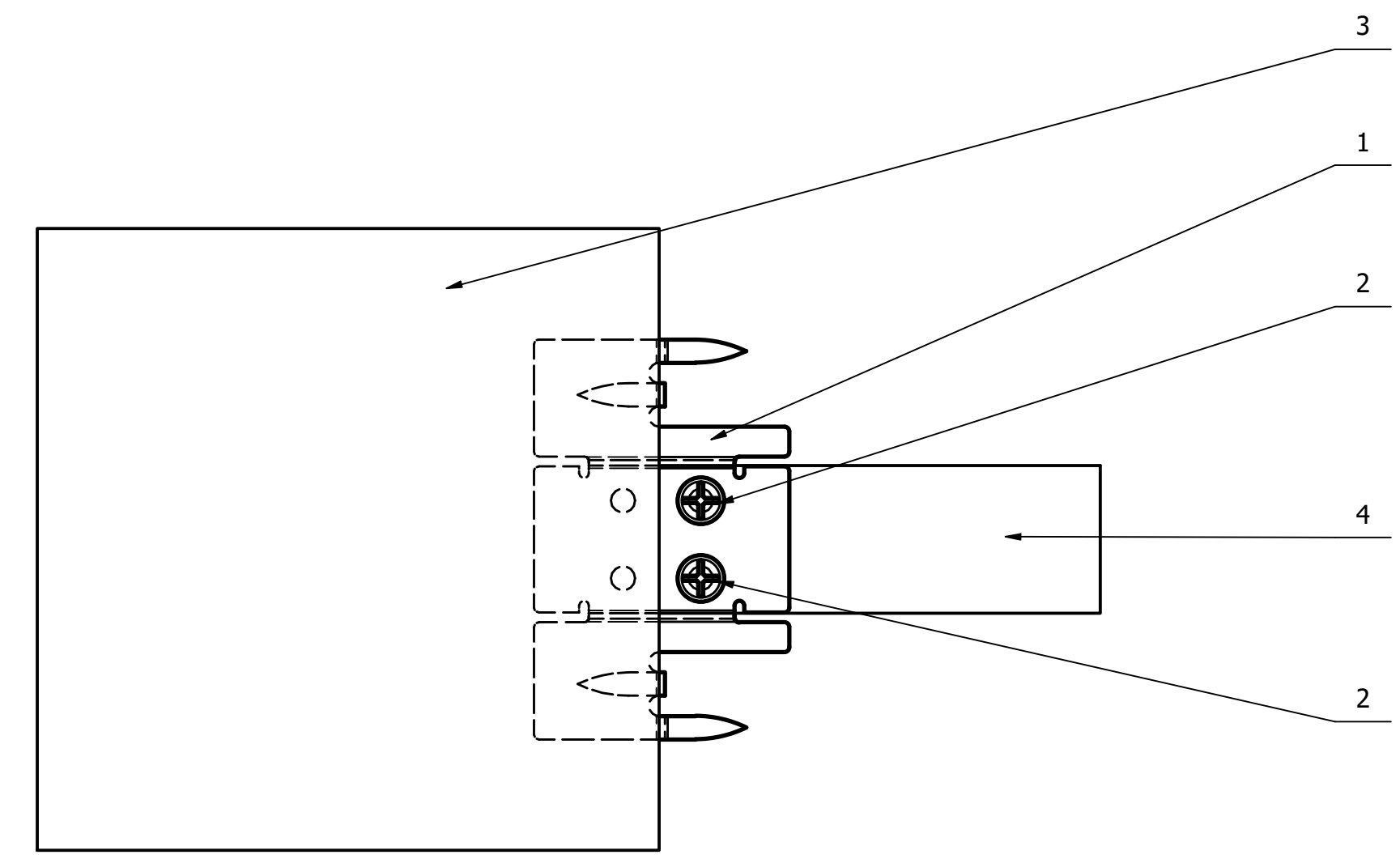
PARTS LIST	
ITEM	PART NUMBER
1	1/8" REVEAL PLANK CLIP
2	CUSTOMER SUPPLIED #7x7/16" FRAME SCREW
3	MOCKUP PLANK
4	MOCKUP T-GRID



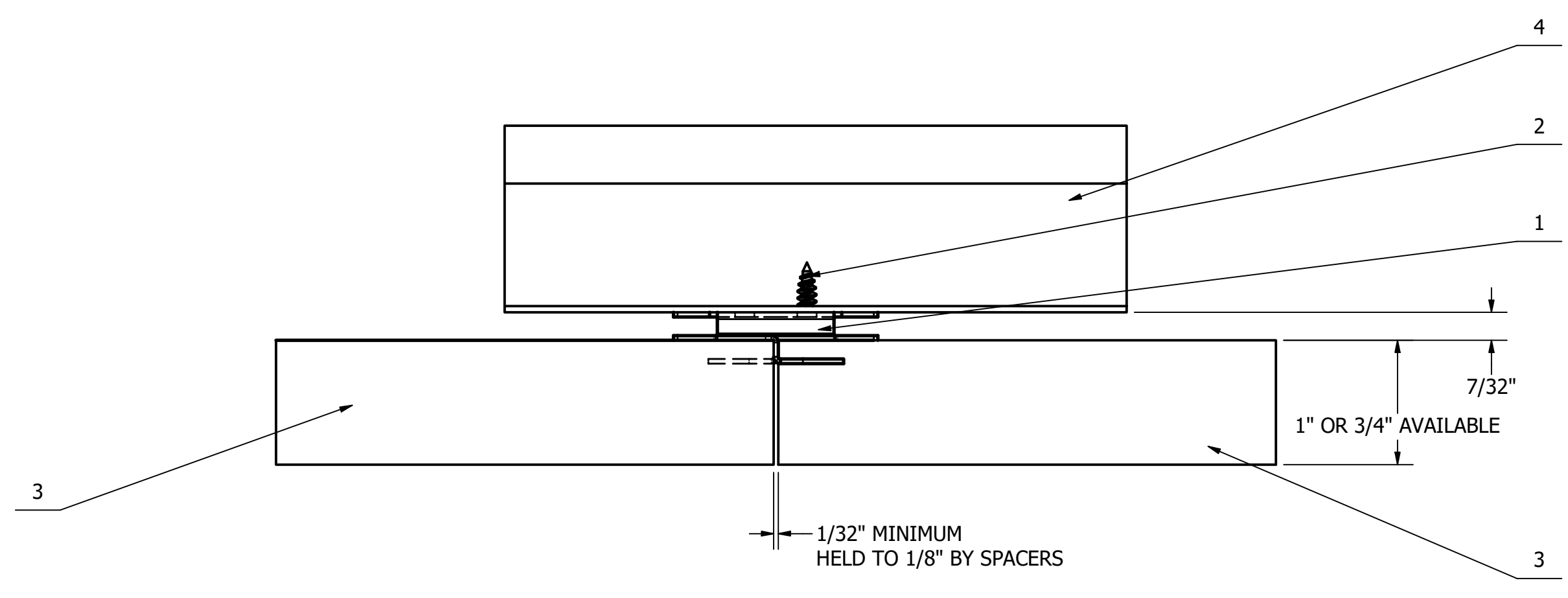
END VIEW



ISO VIEW



BOTTOM VIEW



SIDE VIEW